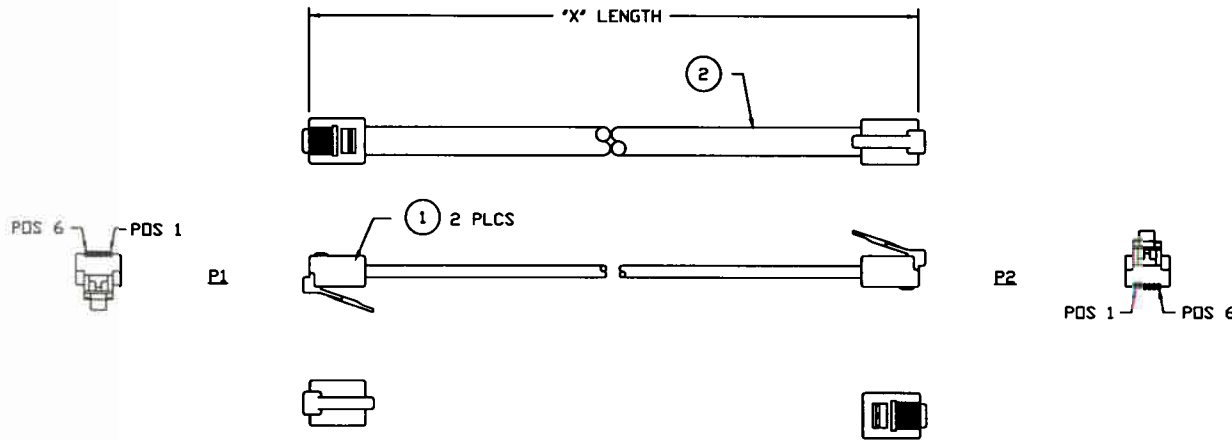


THESE DRAWINGS AND SPECIFICATIONS ARE THE SOLE PROPERTY OF I/O INTERCONNECT INC. U.S.A. AND SHALL NOT BE REPRODUCED, COPIED, OR USED IN ANY MANNER WITHOUT THE PRIOR WRITTEN CONSENT OF I/O INTERCONNECT INC. OR ITS AFFILIATED SUBSIDIARIES.

DWG. NO.	ZONE	REV.	DESCRIPTION	DATE	APPROVED
XX6-501-D		C	ECN C285	09/17/01	K.C.
		D	ADD NOTE & CHANGE P/N TO ROHS COMPLIANT PER ECN D830	04/21/05	M.G.

**WIRE DIAGRAM**

P1		P2
1	WHITE	1
2	BLACK	2
3	RED	3
4	GREEN	4
5	YELLOW	5
6	BLUE	6



**NOTES: UNLESS OTHERWISE SPECIFIED.**

- CABLE TO BE BUNDLED AND TWIST TIED.
- TEST CABLE FOR ALL OPENS & SHORTS.
- PACKAGE CABLE ASSEMBLY INDIVIDUALLY IN PLASTIC BAG. PACKAGE INDIVIDUAL BAG PER LOT NUMBER QUANTITIES.
- MARK OUTSIDE SHIPPING BOX WITH CUSTOMER PART NUMBER.
- PLACE BAR CODE LABEL ON THE OUTSIDE OF EACH SHIPPING BOX LABEL DETAIL SEE DWG 090-990-001.
- ALL METRICAL SHOULD BE ROHS COMPLIANT.

H2662-25-ND	GLF-466-256-501-D	25.0 FT ± 4.0 IN 7.62 M ± 101.6 MM
H2662-14-ND	GLF-466-146-501-D	14.0 FT ± 3.0 IN 4.27 M ± 76.2 MM
H2662-07-ND	GLF-466-076-501-D	7.0 FT ± 2.0 IN 2.13 M ± 50.8 MM
PART NUMBER DIGI-KEY	PART NUMBER I/O INTERCONNECT	LENGTH 'X'

**THIRD ANGLE PROJECTION**



**I/O INTERCONNECT**  
SANTA ANA, CALIFORNIA

DR BY JEFFREY SUN	DATE 04/21/05	TITLE 6PGC MODULAR, REVERT STYLE, BLACK, CABLE ASSEMBLY P/N: H2662-XX-ND
DR CHECKED		PART NO. GLF-466-XX6-501-D
NO.		SWS NO. GLF-466-XX6-501-D
ENGINEER		CUSTOMER DIGI-KEY
CUST./SALES		REV. D
SA	SCALE NONE	SHEET 1 OF 1

UNLESS OTHERWISE NOTED:  
1) DIMENSIONS ARE IN INCHES (MILLIMETER)  
2) TOLERANCES:  
X.XX ± 0.25 (6.35)

ITEM	QTY	MFG.	IOI PART NO.	DESCRIPTION
2	'X'	IOI	GLF-120-610-010	MODULAR CABLE, 26 AWG (7/34) BARE COPPER, 6 CONDUCTOR, UNSHIELDED, BLACK PVC.
1	2 PCS	IOI	GLF-325-661-50X	CONNECTOR, MODULAR PLUG, 6 POSITION, 6 CONDUCTOR, 50u' Aw, FLAT TYPE EXIT.

**CABLE ASSEMBLY PARTS LIST**